



PLANCHART HANDLE

Technical specifications

PLANCHART HANDLE



OVERALL DIMENSIONS

I. 190MM

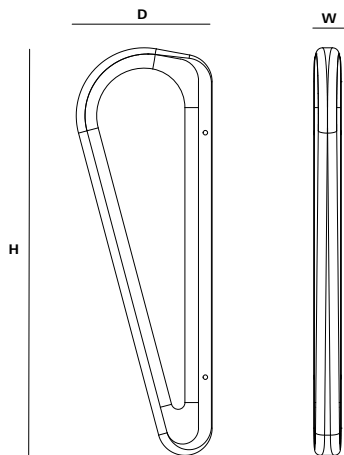
H 190MM x D 75MM x W 14MM

H 7.48IN x D 2.95IN x W 0.5IN

II. 300MM

H 300MM x D 100MM x W 20MM

H 11.8IN x D 3.93IN x W 0.78IN



MATERIALS

I. METAL



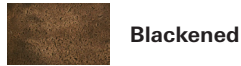
Aluminium



Brass



Bronze



Blackened

WEIGHT

I. 190MM

Aluminium (96G / 3.4oz)

Brass / Bronze / Blackened
(300G / 10.6oz)

II. 300MM

Aluminium (370G / 13.05oz)

Brass / Bronze / Blackened
(1,150G / 40.56oz)

PACKAGING

Recycled Cardboard

H 65MM x L 280MM x W 90MM

CLEANING INSTRUCTIONS

I. METAL

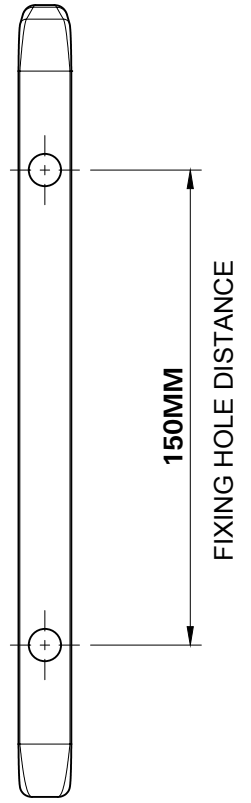
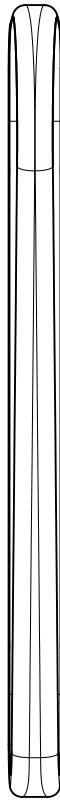
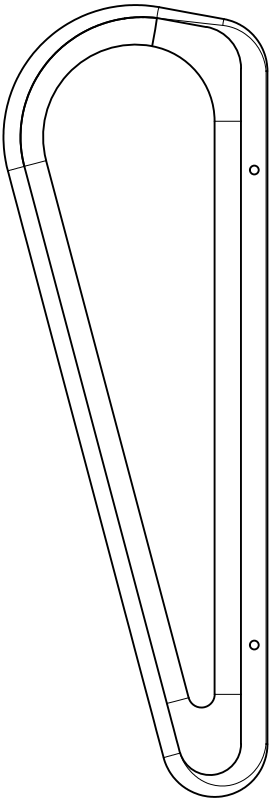
The metal used for our range oxidise with age and environment, both of which contribute to the evolution of a natural patina. If you favour the original bright finish of your pieces, this is easily restored by use of polishing solution - we recommend Braso or Silvo depending on the metal in question - applied with a soft, clean cloth.

Because each object is cast in small batches, slight variations will occur from one individual piece to another. Production marks may include slight pour ripples or surface pitting, which imprint every item with a unique character.

UPDATED

20 May 2026

PLANCHART HANDLE 190MM



PLANCHART HANDLE 300MM

