

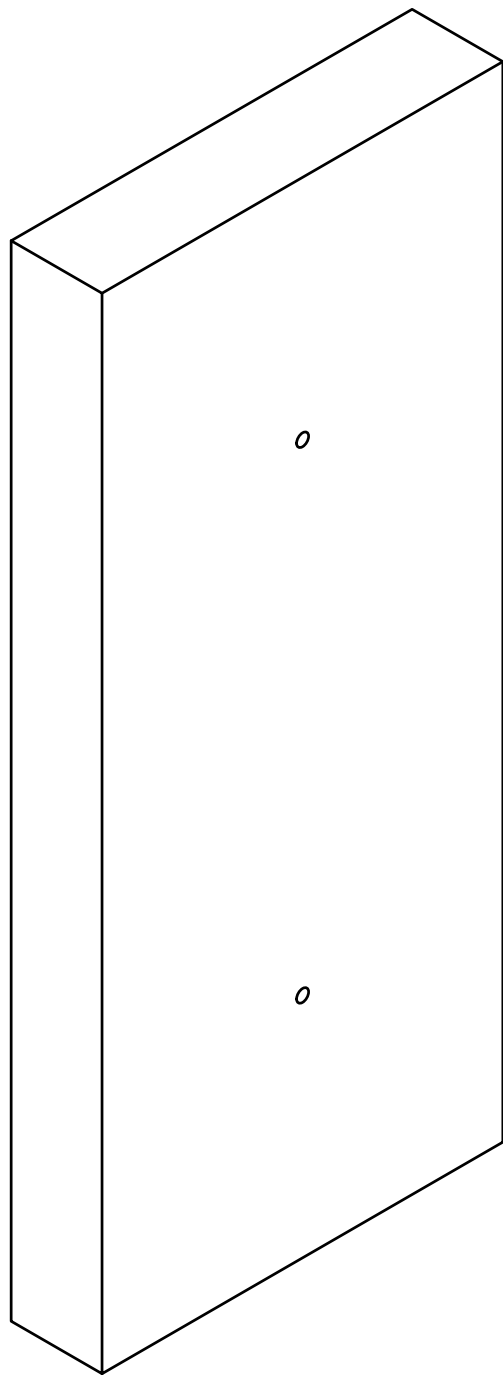
PLANCHART 300MM HANDLE

Assembly Guide

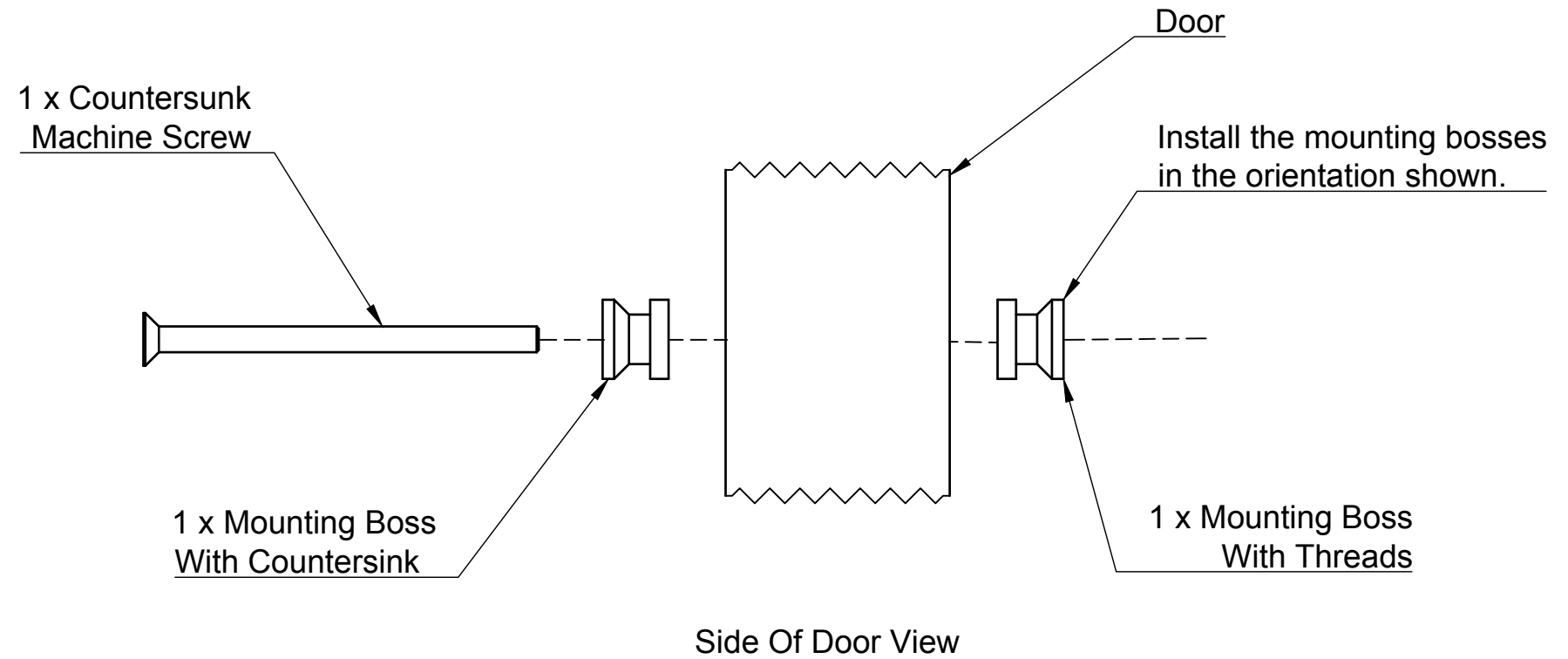
STUDIO HENRY WILSON

Planchart 300mm Install Guide - Back To Back

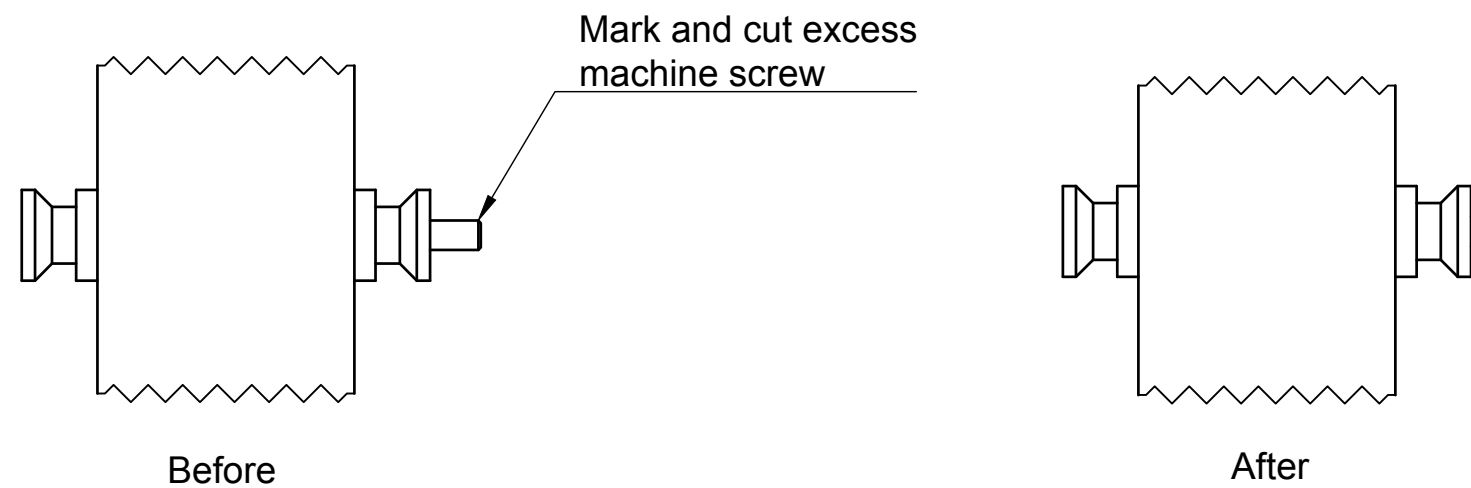
Step 1 - Drill Holes for machine screws as per the hole spacing specified in the planchart 300mm spec sheet



Step 2 - Install the mounting boss assembly using the holes drilled in step 1. Pass the machine screw through the mounting boss with countersink, then through the door and finally thread into the mounting boss with threads. Please note the orientation of the threaded boss is the mirror of the boss with countersink (the angled surface of the boss faces out).

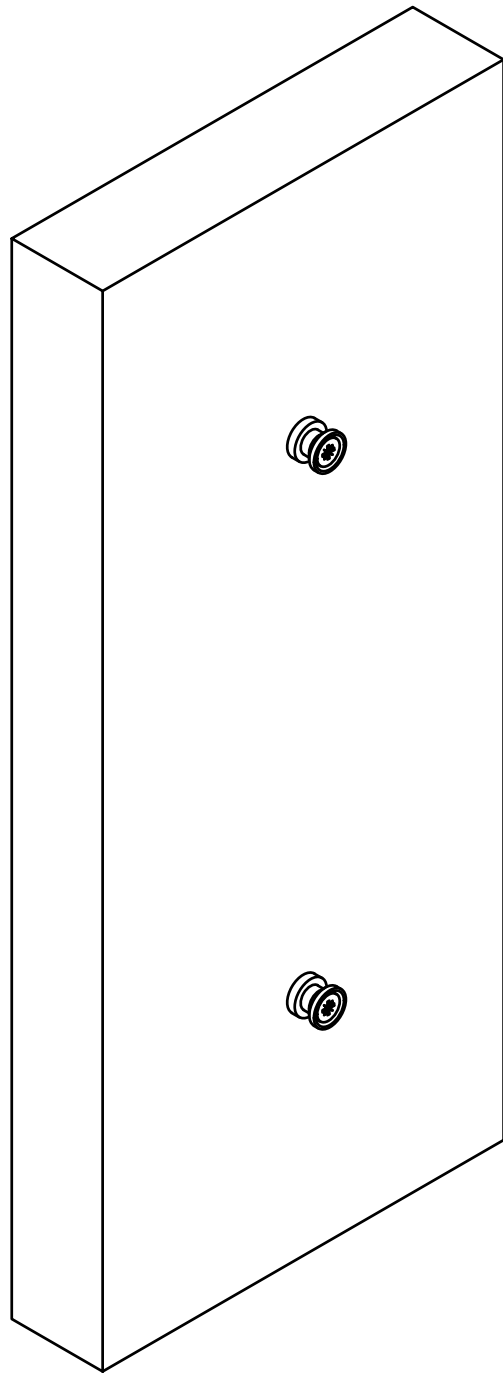


you will notice the machine screw sticks out past the end face of the mounting boss with threads. Please mark this distance and cut the machine screw to suit the width of your door. The machine screw should not project past the end face of the boss with threads.

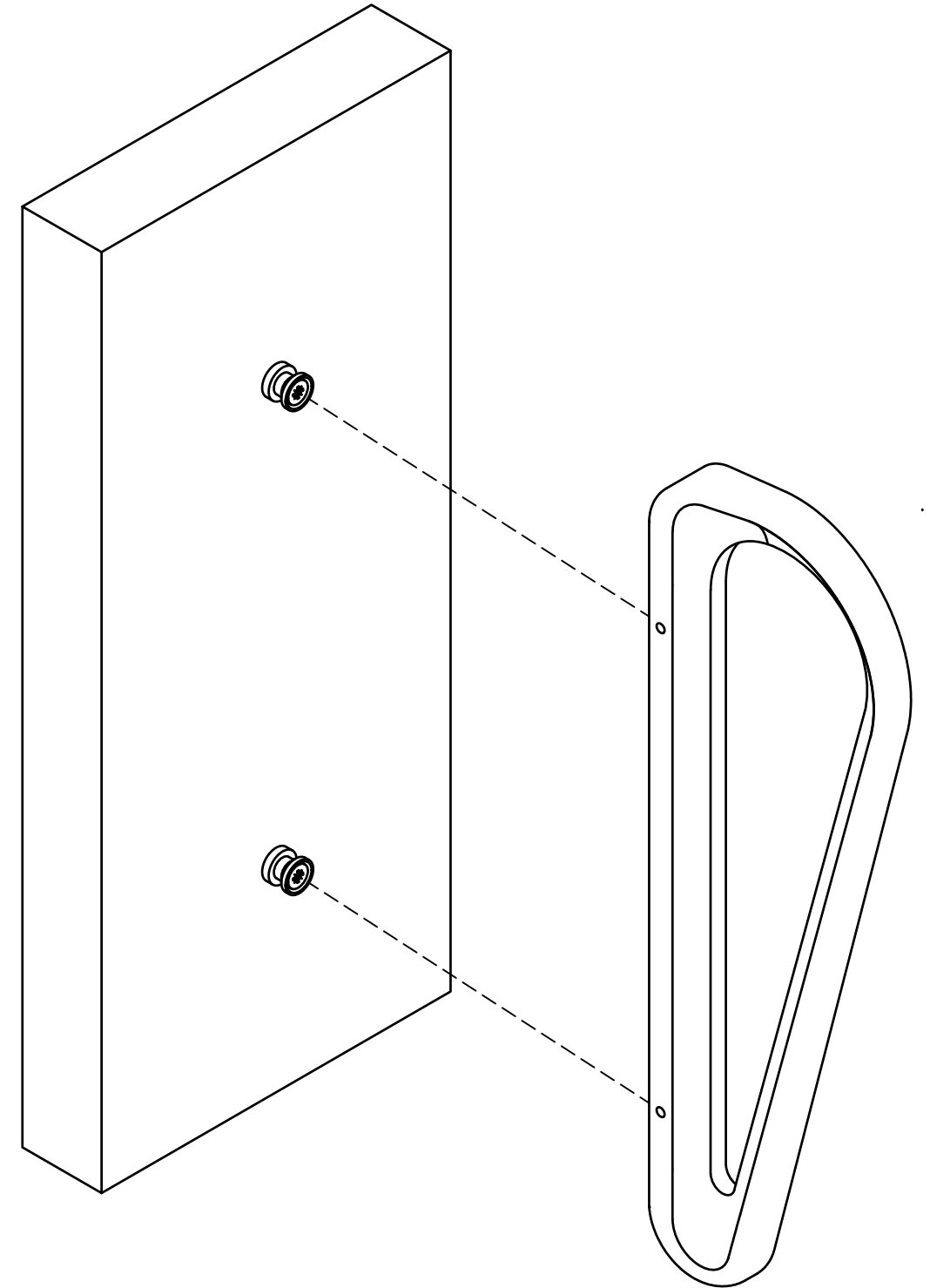
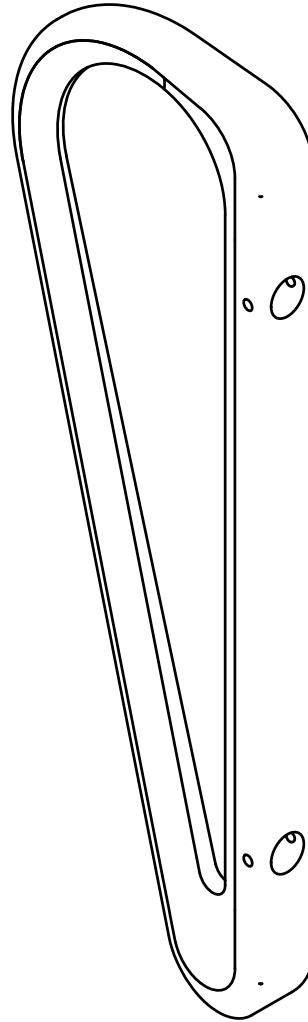


Planchart 300mm Install Guide - Back To Back

Step 3 - Once the machine screws have been cut in step 2, re install the mounting boss assembly for the final time. Ensuring that the mounting boss assembly is fixed securely.

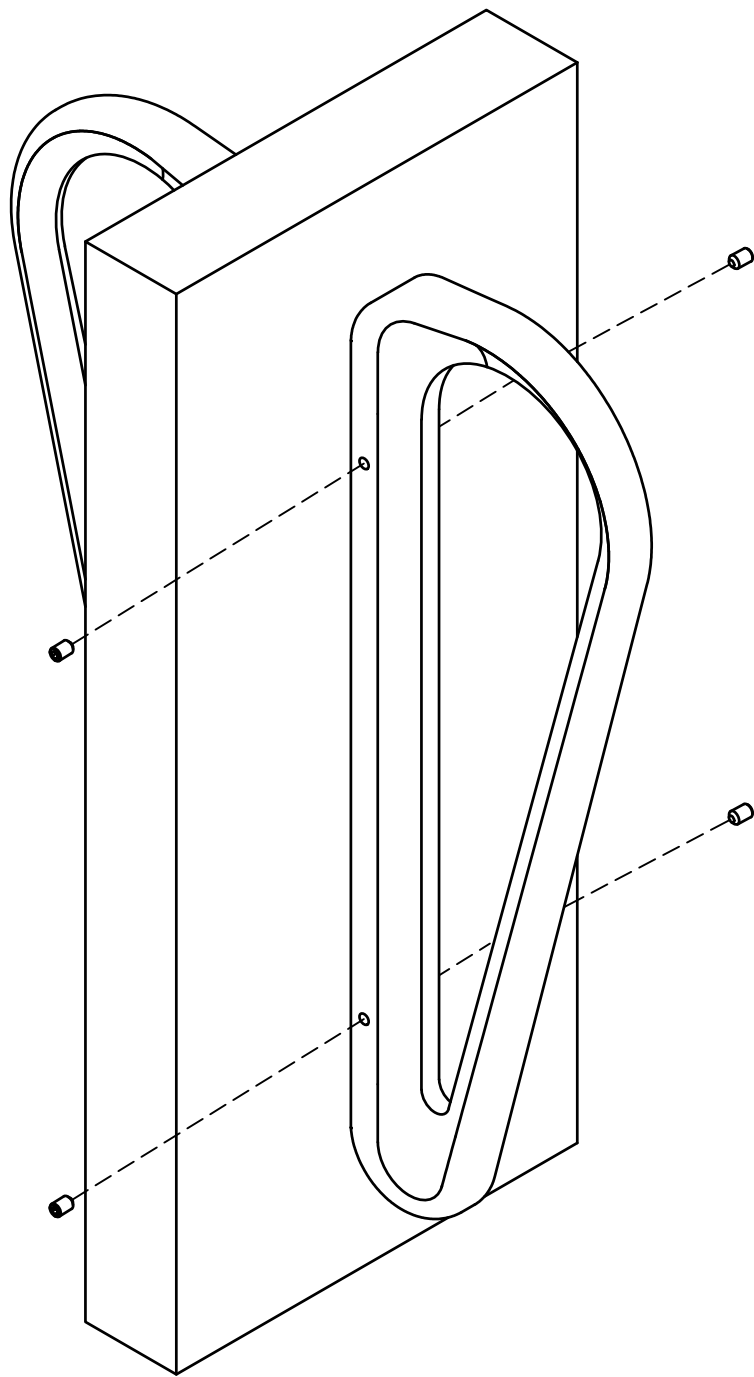


Step 4 - Once the bosses are fixed in step 3, slot the planchart 300 handle over the mounting bosses one at a time.

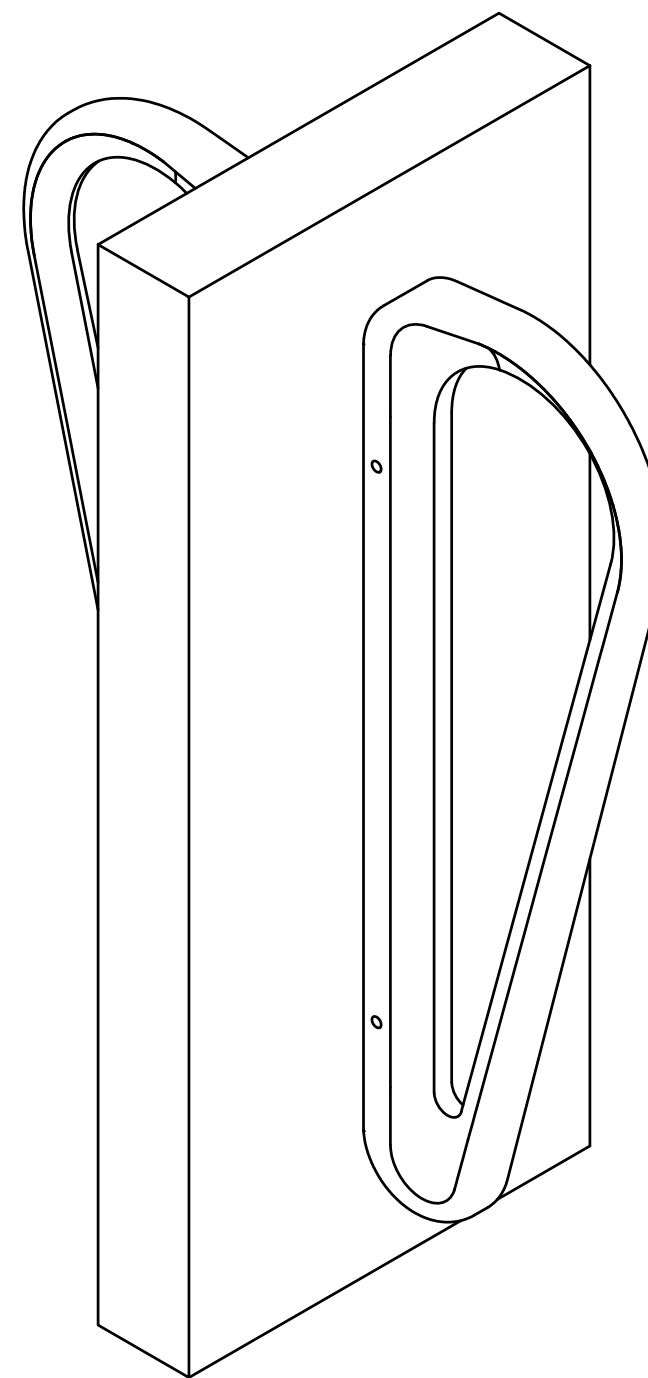


Planchart 300mm Install Guide - Back To Back

Step 5 - When the planchart 300 handle has been slotted on the mounting boss assembly screw in the 4 grub/set screws located on each side of the planchart handle. Screw these tight to securely fix the handle to the door.

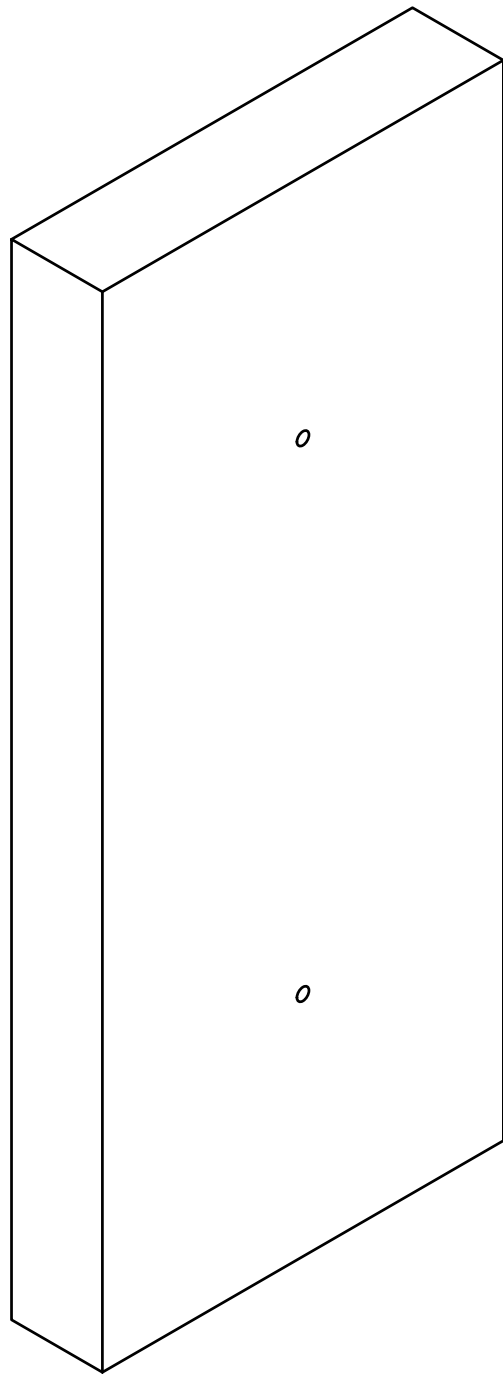


Step 6 - Repeat steps 4 and 5 for the planchart handle on the other side of the door. Once both handle are secured with the grub/set screws the install is complete

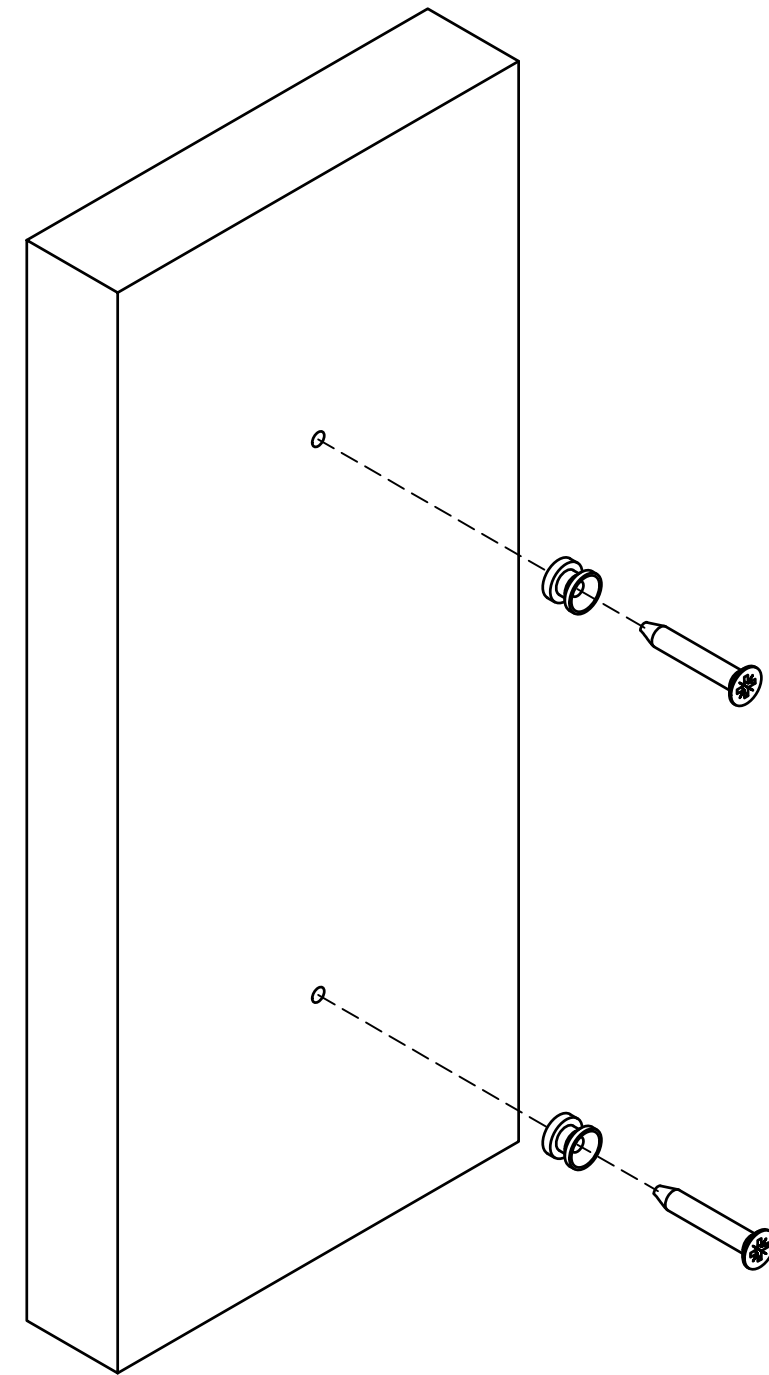


Planchart 300mm Install Guide - Blind Fixing

Step 1 - Drill pilot holes for 8g self tapping screws as per the hole spacing specified in the planchart 300mm spec sheet

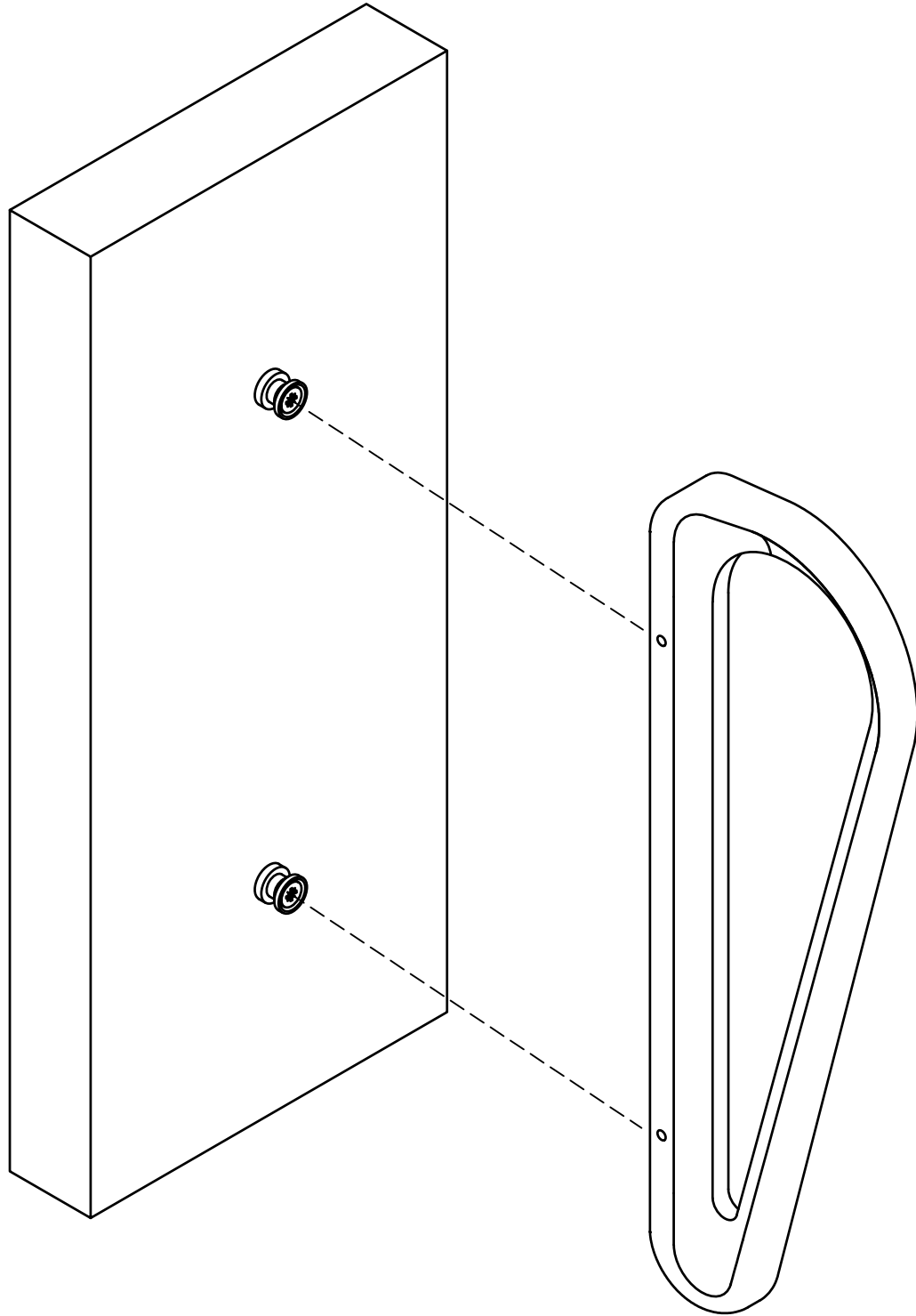


Step 2 - Install the mounting bosses on the door using countersunk 8g self tapping screws. Ensuring that the head of the screw does not project out further than the mounting boss.



Planchart 300mm Install Guide - Blind Fixing

Step 3 - Once the bosses are fixed in step 2, slot the planchart 300 handle over the mounting bosses.



Step 4 - When the planchart 300 handle has been slotted on the mounting boss, screw in the 4 grub/set screws located on each side of the planchart handle. Screw these tight to securely fix the handle to the door.

