

## PAGODA RÉFLECTEUR



### OVERALL DIMENSIONS

#### I. LARGE

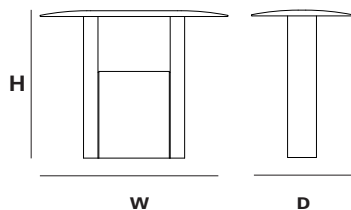
H 510MM x W 650MM x D 350MM

H 20IN x W 25.6IN x D 13.7IN

#### II. SMALL

H 383MM x W 490MM x D 260MM

H 15.07IN x W 19.3IN x D 10.2IN



## MATERIALS

### I. STONE



White Alabaster

### II. TIMBER



Maple

### WEIGHT

#### I. LARGE

Stone (25,000G / 881.84oz)

Timber (5,000G / 176.36oz)

#### II. SMALL

Stone (10,000G / 352.73oz)

### PACKAGING

Recycled Cardboard

H 145MM x L 440MM x W 400MM

## CLEANING INSTRUCTIONS

Before cleaning, lighting fixtures must be turned off and unplugged from mains electricity. Whilst cleaning please take care and use the gloves provided.

### I. STONE

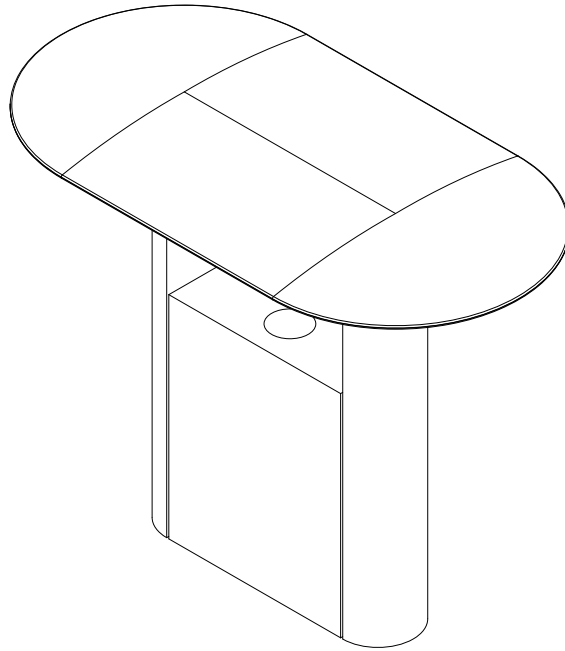
Each of our stone objects is unique, due to the variations of colour and veining that effect the inherent aesthetic appeal of natural stone.

To clean stone items, begin by removing any dust with a soft, dry cloth. A cloth dampened with warm water will usually remove superficial marks; if more effort is necessary, add a modest amount of pH-neutral detergent. Finish by wiping each piece thoroughly with a clean, dry cloth to absorb any residual moisture.

### II. TIMBER

The carved timber frame is polished and matte-sealed using Danish oil, which nourishes the timber, enhances its grain and protects the surface from dirt and staining. Wipe dry with a clean cloth if necessary.

## PAGODA RÉFLECTEUR



### PRODUCT SPECIFICATIONS

#### AU / UK / EU

**LIGHTBULB TYPE**  
9W LED max (supplied)

**FITTING DESCRIPTION**  
Edison Ø14MM (E14)

**SUGGESTED LUMEN RATING**  
250LM

**WATTAGE**  
3.3w Equiv 25w Incandescent

**KELVIN RATING**  
2700k Warm White

**VOLTAGE**  
230-240v / 50-60hz

**DIMMABILITY**  
No

**IF THE SUPPLIED FLEXIBLE CORD IS DAMAGED, REPLACE WITH 2 CORE SHEATHED TYPE ONLY.**

#### US / JPN

**LIGHTBULB TYPE**  
9W LED max (not supplied)

**FITTING DESCRIPTION**  
Edison Ø12MM (E12)

**SUGGESTED LUMEN RATING**  
250LM

**WATTAGE**  
3.3w Equiv 25w Incandescent

**KELVIN RATING**  
2700k-3000k Warm White

**VOLTAGE**  
110-120v / 60HZ AC

**DIMMABILITY**  
Bulb dependant

**IF THE SUPPLIED CORD IS DAMAGED, REPLACE WITH 2 CORE SHEATHED TYPE ONLY. HARDWIRED LAMPS MUST BE INSTALED BY A PROFESSIONAL.**

**HS CODE LAMPS / LIGHT FITTINGS**  
9405.40.8440

**HS CODE CORD SETS / POWER SUPPLY**  
ELBZ.E465216

**LISTED PARTS \***  
UL Lamp Holder E3810

**UL Cord** ELBZ . E465216

**Canda** ELBZ . E465216