

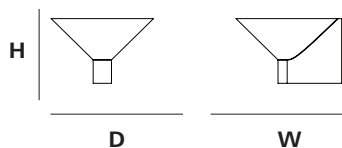
CONICAL WALL LIGHT



OVERALL DIMENSIONS

H 120MM x D 196MM x W 190MM

H 4.72IN x D 7.72IN x W 7.48IN

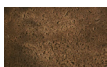


MATERIALS

I. METAL



Bronze



Blackened



Stainless Steel

WEIGHT

Bronze / Blackened
(2,500G / 88.2oz)

Stainless Steel
(2,500G / 88.2oz)

PACKAGING

Recycled Cardboard
H 125MM x L 200MM x W 200MM

CLEANING INSTRUCTIONS

Before cleaning, lighting fixtures must be turned off and unplugged from mains electricity. Whilst cleaning please take care and use the gloves provided.

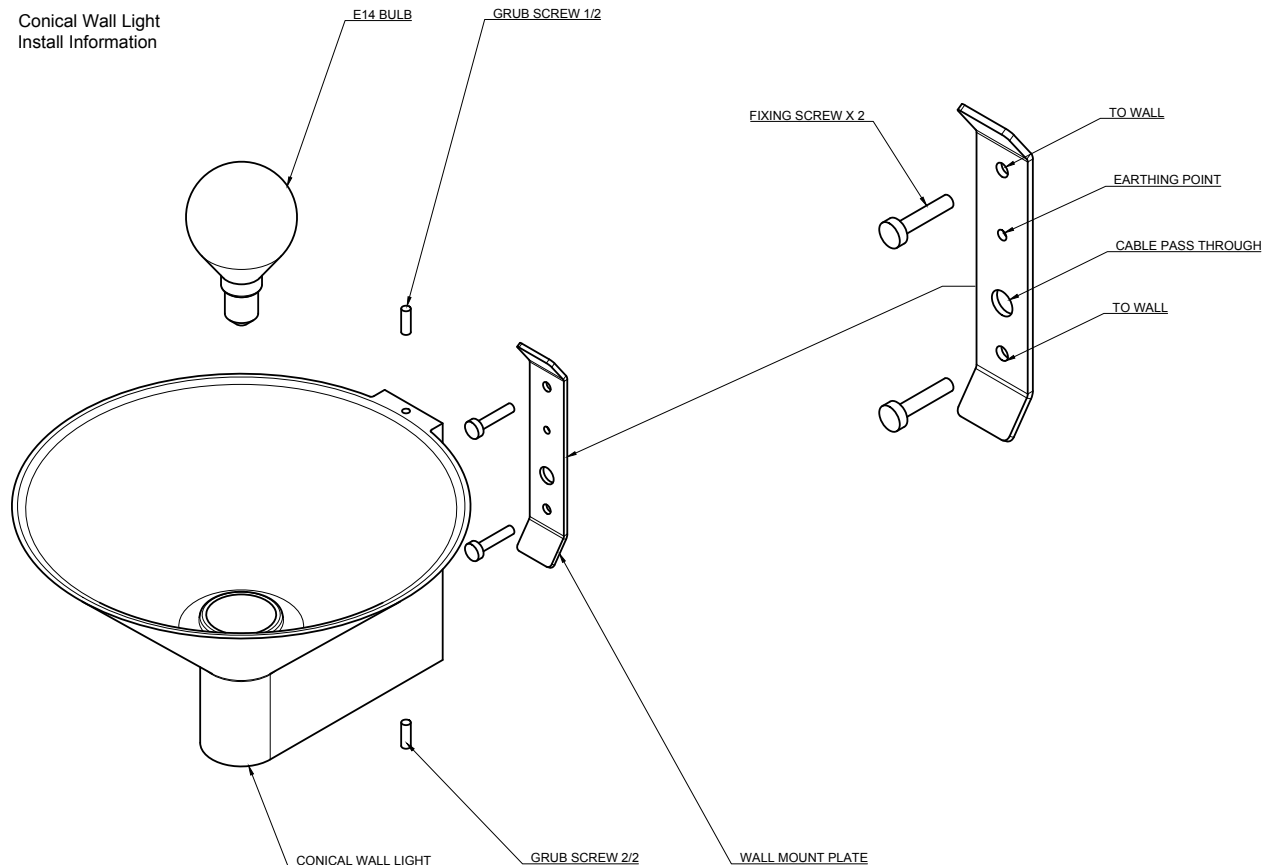
I. METAL

The metal used for our range oxidise with age and environment, both of which contribute to the evolution of a natural patina. If you favour the original bright finish of your pieces, this is easily restored by use of polishing solution - we recommend Braso or Silvo depending on the metal in question - applied with a soft, clean cloth.

Because each object is cast in small batches, slight variations will occur from one individual piece to another. Production marks may include slight pour ripples or surface pitting, which imprint every item with a unique character.

CONICAL WALL LIGHT

Conical Wall Light
Install Information



PRODUCT SPECIFICATIONS

AU / UK / EU

LIGHTBULB TYPE
9W LED max (supplied)

FITTING DESCRIPTION
Edison Ø14MM (E14)

SUGGESTED LUMEN RATING
250LM

WATTAGE
3.3w Equiv 25w Incandescent

KELVIN RATING
2700k Warm White

VOLTAGE
230-240v / 50-60HZ

DIMMABILITY
No

IF THE SUPPLIED FLEXIBLE CORD IS DAMAGED, REPLACE WITH 2 CORE SHEATHED TYPE ONLY.

US / JPN

LIGHTBULB TYPE
9W LED max (not supplied)

FITTING DESCRIPTION
Edison Ø12MM (E12)

SUGGESTED LUMEN RATING
250LM

WATTAGE
3.3w Equiv 25w Incandescent

KELVIN RATING
2700k-3000k Warm White

VOLTAGE
110-120v / 60HZ AC

DIMMABILITY
Bulb dependant

IF THE SUPPLIED CORD IS DAMAGED, REPLACE WITH 2 CORE SHEATHED TYPE ONLY. HARDWIRED LAMPS MUST BE INSTALLED BY A PROFESSIONAL.

HS CODE LAMPS / LIGHT FITTINGS
9405.40.8440

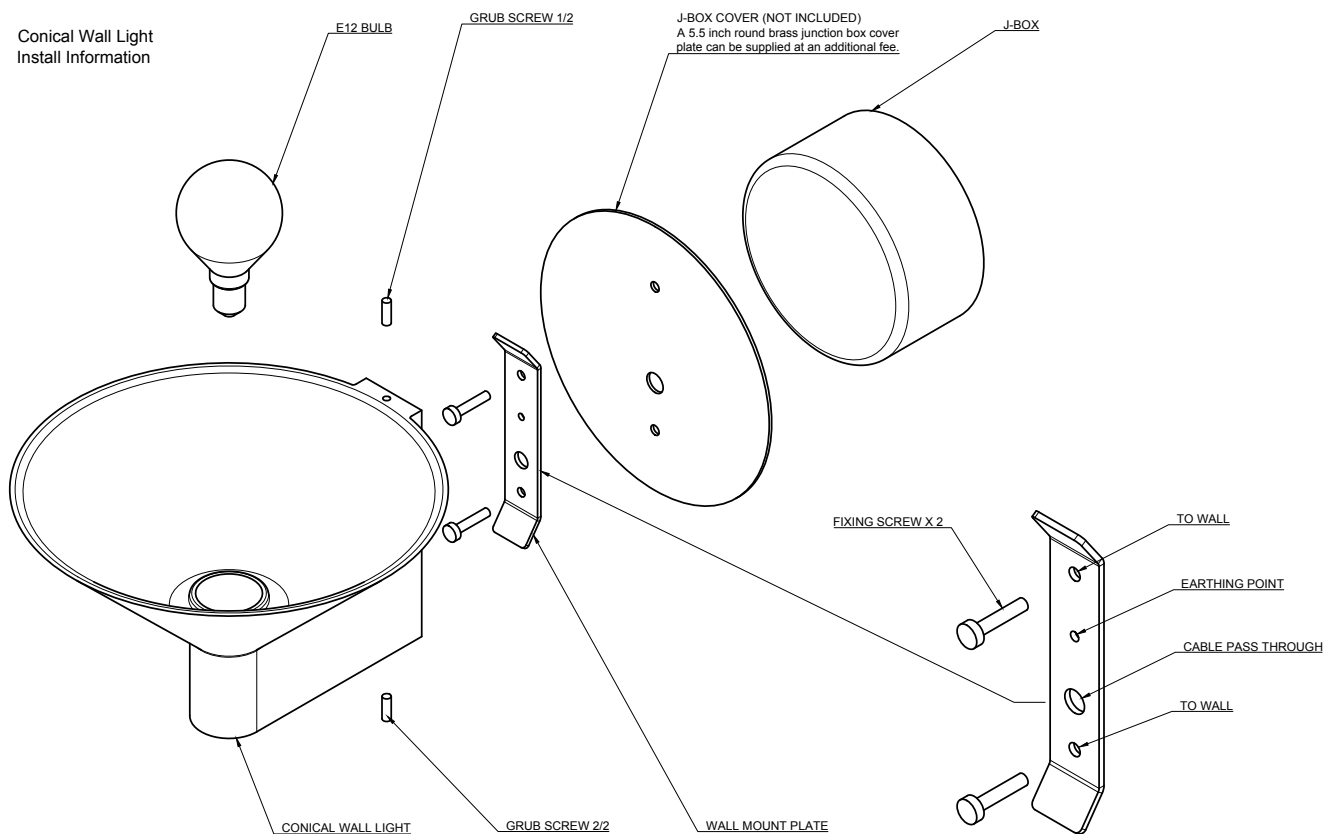
HS CODE CORD SETS / POWER SUPPLY
ELBZ.E465216

LISTED PARTS *
UL Lamp Holder E3810

UL Cord ELBZ . E465216

Canda ELBZ . E465216

CONICAL WALL LIGHT with J-BOX Cover



PRODUCT SPECIFICATIONS

AU / UK / EU

LIGHTBULB TYPE
9W LED max (supplied)

FITTING DESCRIPTION
Edison Ø14MM (E14)

SUGGESTED LUMEN RATING
250LM

WATTAGE
3.3w Equiv 25w Incandescent

KELVIN RATING
2700k Warm White

VOLTAGE
230-240v / 50-60HZ

DIMMABILITY
No

IF THE SUPPLIED FLEXIBLE CORD IS DAMAGED, REPLACE WITH 2 CORE SHEATHED TYPE ONLY.

US / JPN

LIGHTBULB TYPE
9W LED max (not supplied)

FITTING DESCRIPTION
Edison Ø12MM (E12)

SUGGESTED LUMEN RATING
250LM

WATTAGE
3.3w Equiv 25w Incandescent

KELVIN RATING
2700k-3000k Warm White

VOLTAGE
110-120v / 60HZ AC

DIMMABILITY
Bulb dependant

IF THE SUPPLIED CORD IS DAMAGED, REPLACE WITH 2 CORE SHEATHED TYPE ONLY. HARDWIRED LAMPS MUST BE INSTALED BY A PROFESSIONAL.

HS CODE LAMPS / LIGHT FITTINGS
9405.40.8440

HS CODE CORD SETS / POWER SUPPLY
ELBZ.E465216

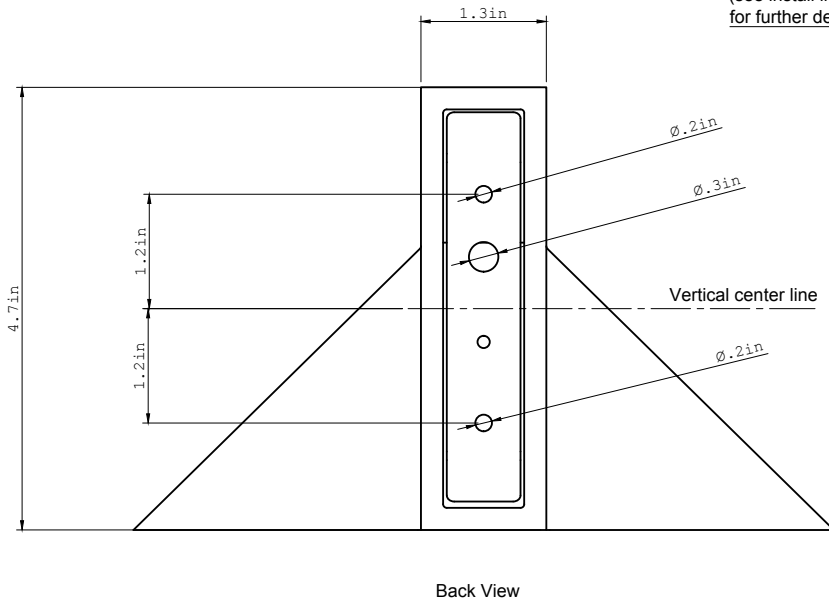
LISTED PARTS *
UL Lamp Holder E3810

UL Cord ELBZ . E465216

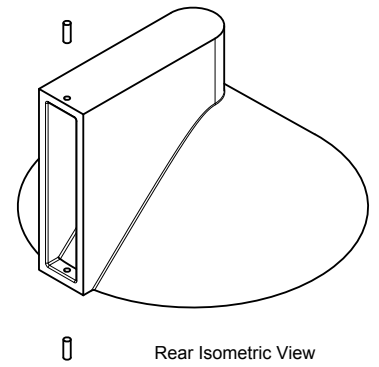
Canda ELBZ . E465216

CONICAL WALL LIGHT with J-BOX

Conical Wall Light Junction Box Information



Conical Wall
Mount Plate/Bracket
(see install information
for further detail)



Please Note:

We do not supply junction boxes with the conical wall light.

The correct junction box should be sourced by your installing contractor, using the dimensions labeled on the back view.

A 5.5 inch round brass junction box cover plate can be supplied at an additional fee.