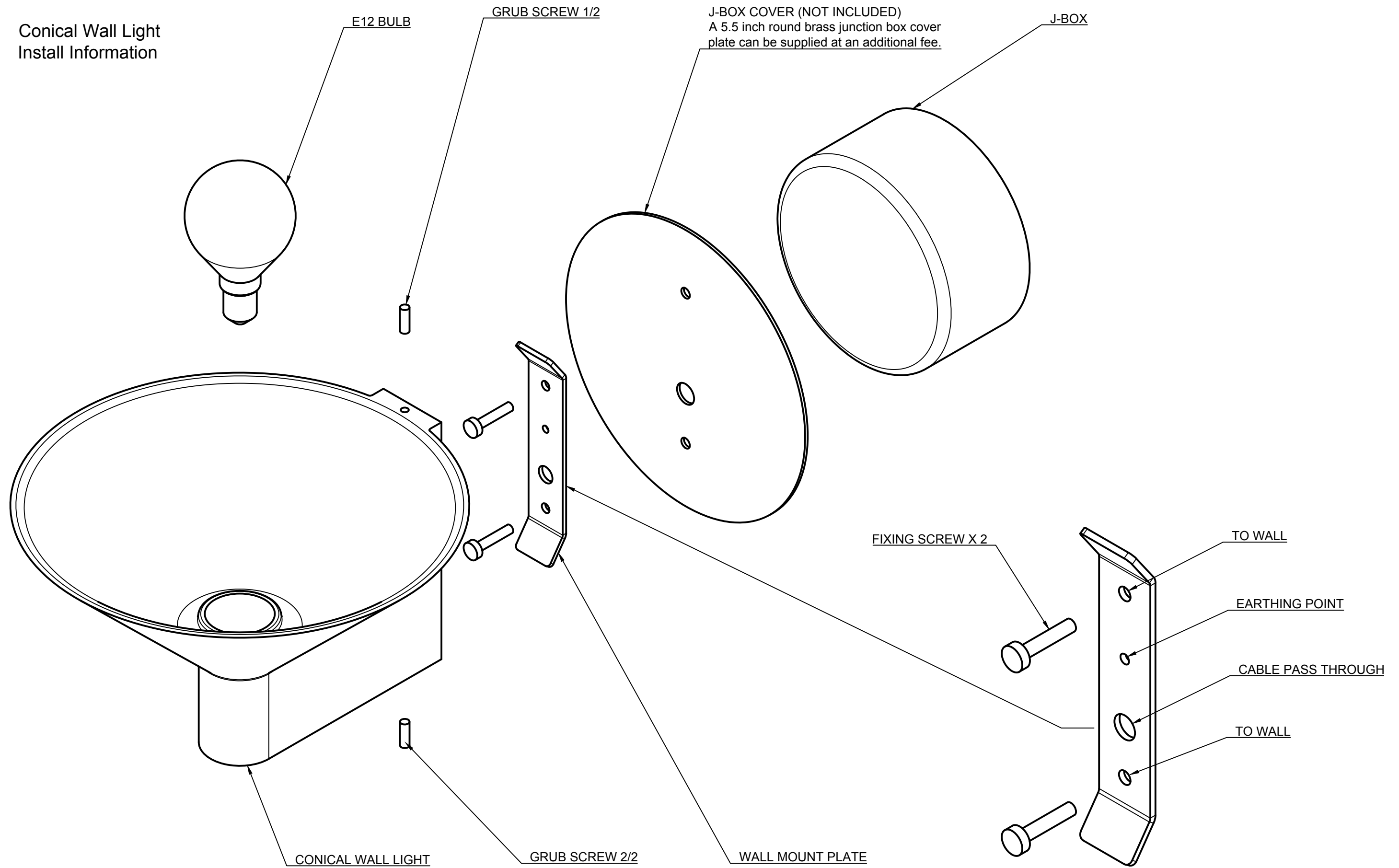
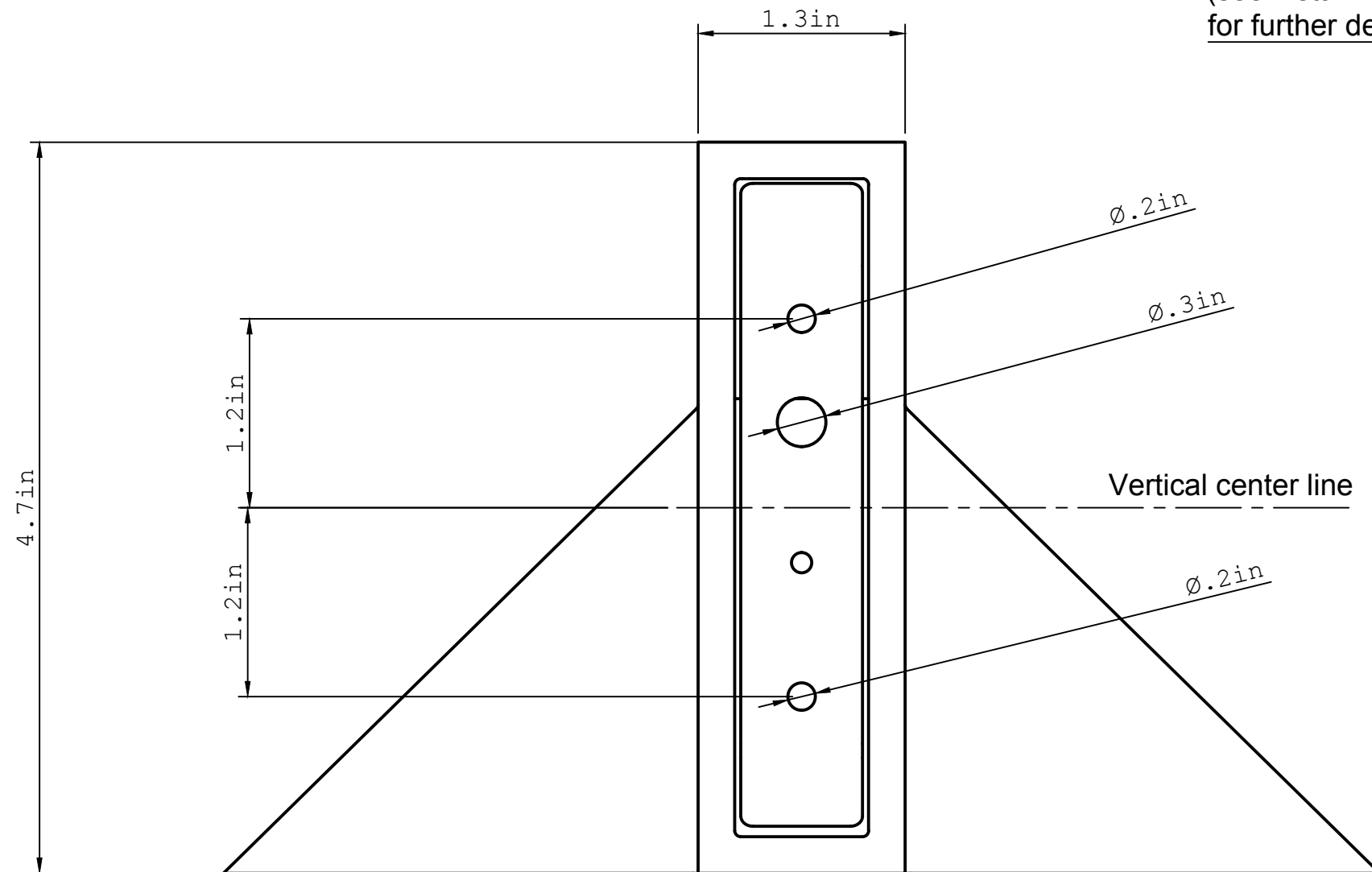


Conical Wall Light
Install Information

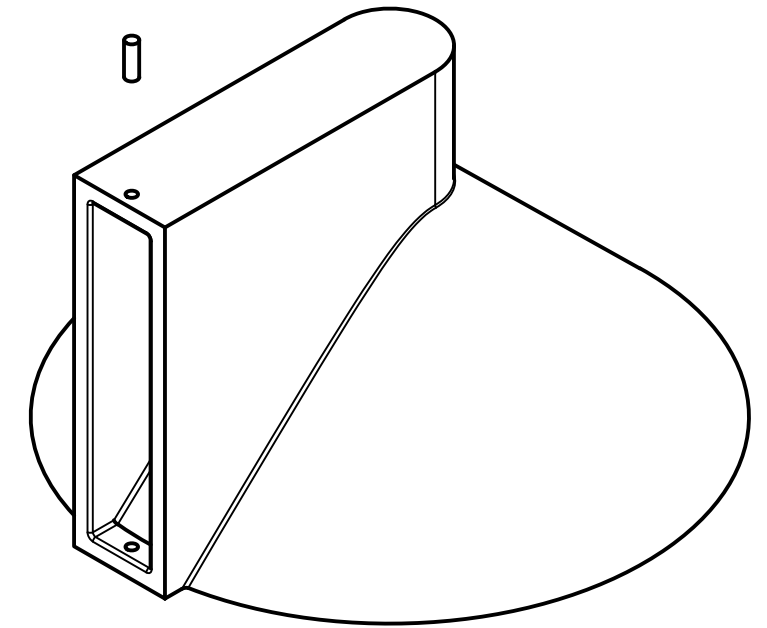
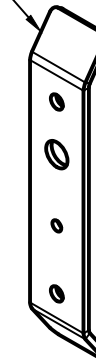


Conical Wall Light
Junction Box Information



Back View

Conical Wall
Mount Plate/Bracket
(see install information
for further detail)



Rear Isometric View

Please Note:

We do not supply junction boxes with the conical wall light.

The correct junction box should be sourced by your installing contractor, using the dimensions labeled on the back view.

A 5.5 inch round brass junction box cover plate can be supplied at an additional fee.