

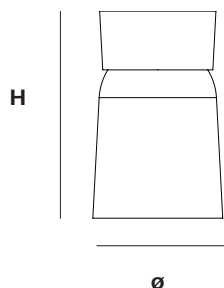
## CEILING SPOT LIGHT



### OVERALL DIMENSIONS

H 205MM × Ø 131MM

H 8.1IN × Ø 5.16IN

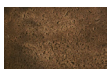


## MATERIALS

### I. METAL



Bronze



Blackened



Aluminium

### WEIGHT

Bronze / Blackened  
(6,100G / 215.2oz)

Aluminium  
(1,500G / 52.9oz)

### PACKAGING

Recycled Cardboard  
H 145MM × L 440MM × W 400MM

## CLEANING INSTRUCTIONS

Before cleaning, lighting fixtures must be turned off and unplugged from mains electricity. Whilst cleaning please take care and use the gloves provided.

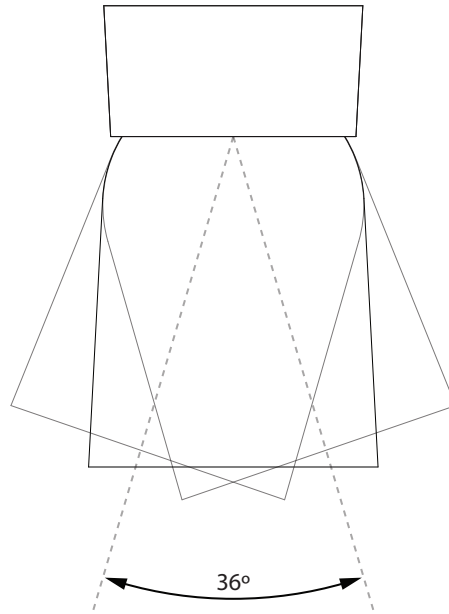
### I. METAL

The metal used for our range oxidise with age and environment, both of which contribute to the evolution of a natural patina. If you favour the original bright finish of your pieces, this is easily restored by use of polishing solution - we recommend Braso or Silvo depending on the metal in question - applied with a soft, clean cloth.

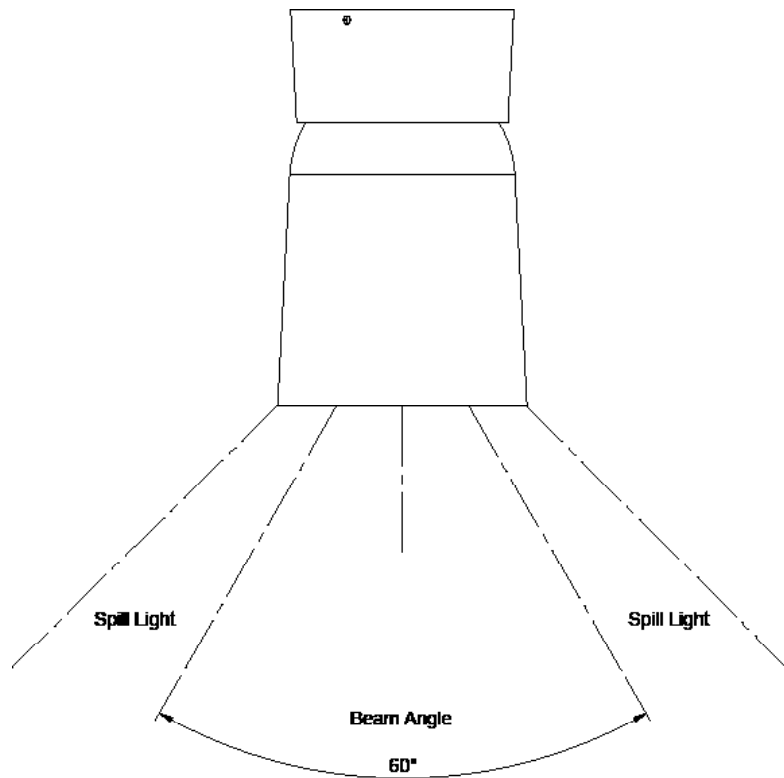
Because each object is cast in small batches, slight variations will occur from one individual piece to another. Production marks may include slight pour ripples or surface pitting, which imprint every item with a unique character.

**CEILING SPOT LIGHT**

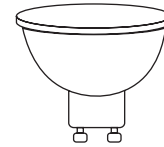
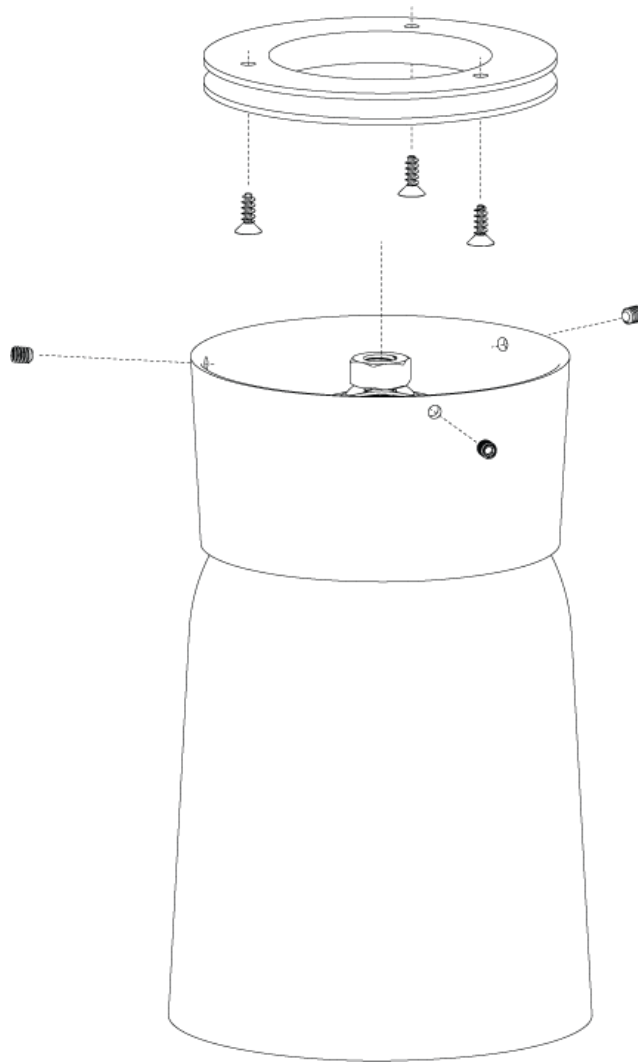
**DEGREE OF MOVEMENT**



**LIGHT BEAM ANGLE**



## CEILING SPOT LIGHT



GU10 Lightbulb

### PRODUCT SPECIFICATIONS

#### AU / UK / EU

**LIGHTBULB TYPE**  
5W (Supplied)

**FITTING DESCRIPTION**  
GU10

**SUGGESTED LUMEN RATING**  
400LM

**WATTAGE**  
5w Equiv 50w Incandescent

**KELVIN RATING**  
2700K-3000K Warm White

**VOLTAGE**  
220-240V / 60HZ AC

**DIMMABILITY**  
Yes (Dimmer not supplied)

**HARDWIRED LAMPS MUST BE INSTALLED  
BY A PROFESSIONAL.**

#### US / JPN

**LIGHTBULB TYPE**  
5W (Not supplied)

**FITTING DESCRIPTION**  
GU10

**SUGGESTED LUMEN RATING**  
400LM

**WATTAGE**  
5w Equiv 50w Incandescent

**KELVIN RATING**  
2700K-3000K Warm White

**VOLTAGE**  
110-120V / 60HZ AC

**DIMMABILITY**  
Yes (Dimmer not supplied)

**HARDWIRED LAMPS MUST BE INSTALLED  
BY A PROFESSIONAL.**

#### LISTED PARTS \*

UL Lamp Holder E3810

UL Cord ELBZ . E465216

Canda ELBZ . E465216