

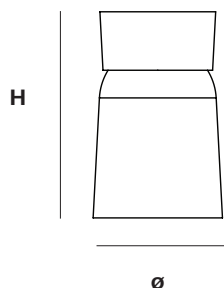
CEILING SPOT LIGHT



OVERALL DIMENSIONS

H 205MM × Ø 131MM

H 8.1IN × Ø 5.16IN

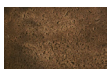


MATERIALS

I. METAL



Bronze



Blackened



Aluminium

WEIGHT

Bronze / Blackened
(6,100G / 215.2oz)

Aluminium
(1,500G / 52.9oz)

PACKAGING

Recycled Cardboard
H 145MM × L 440MM × W 400MM

CLEANING INSTRUCTIONS

Before cleaning, lighting fixtures must be turned off and unplugged from mains electricity. Whilst cleaning please take care and use the gloves provided.

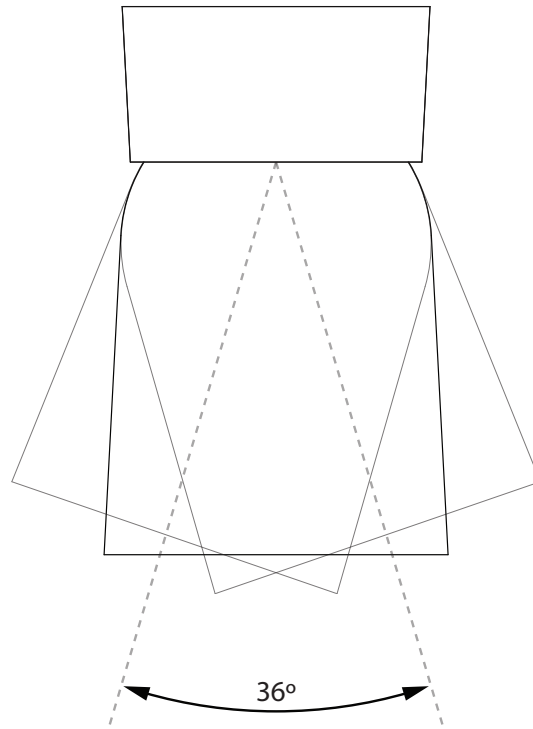
I. METAL

The metal used for our range oxidise with age and environment, both of which contribute to the evolution of a natural patina. If you favour the original bright finish of your pieces, this is easily restored by use of polishing solution - we recommend Braso or Silvo depending on the metal in question - applied with a soft, clean cloth.

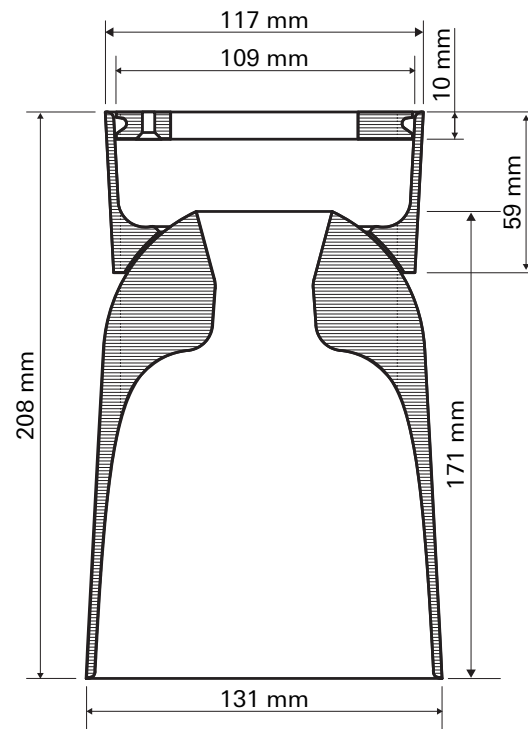
Because each object is cast in small batches, slight variations will occur from one individual piece to another. Production marks may include slight pour ripples or surface pitting, which imprint every item with a unique character.

CEILING SPOT LIGHT

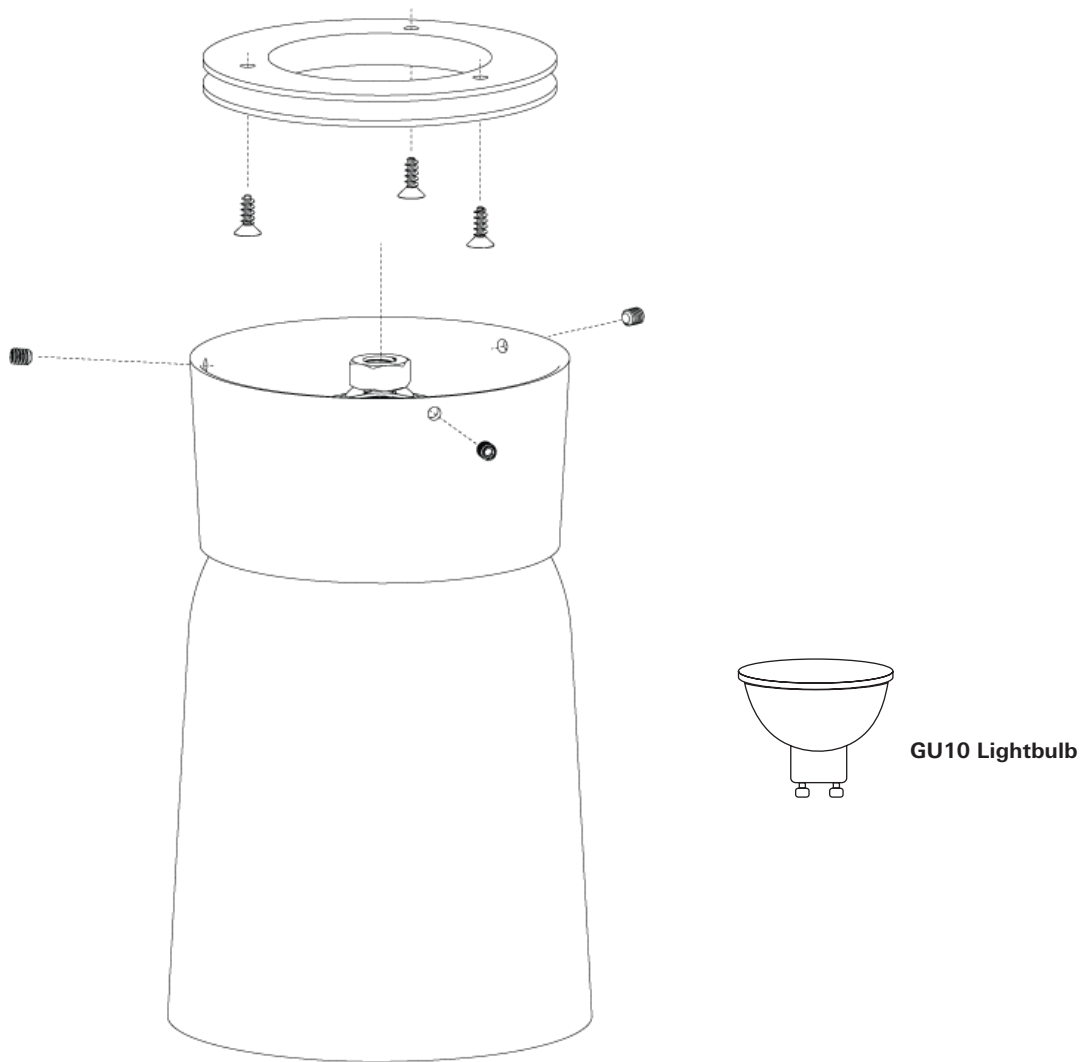
DEGREE OF MOVEMENT



SECTION VIEW



CEILING SPOT LIGHT



PRODUCT SPECIFICATIONS

AU / UK / EU

LIGHTBULB TYPE
5W (Supplied)

FITTING DESCRIPTION
GU10

SUGGESTED LUMEN RATING
400LM

WATTAGE
5w Equiv 50w Incandescent

KELVIN RATING
2700K-3000K Warm White

VOLTAGE
220-240V / 60HZ AC

DIMMABILITY
Yes (Dimmer not supplied)

**HARDWIRED LAMPS MUST BE INSTALLED
BY A PROFESSIONAL.**

US / JPN

LIGHTBULB TYPE
5W (Not supplied)

FITTING DESCRIPTION
GU10

SUGGESTED LUMEN RATING
400LM

WATTAGE
5w Equiv 50w Incandescent

KELVIN RATING
2700K-3000K Warm White

VOLTAGE
110-120V / 60HZ AC

DIMMABILITY
Yes (Dimmer not supplied)

**HARDWIRED LAMPS MUST BE INSTALLED
BY A PROFESSIONAL.**

LISTED PARTS *

UL Lamp Holder E3810

UL Cord ELBZ . E465216

Canda ELBZ . E465216