

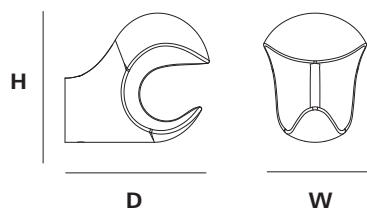
## BALL HOOK



### OVERALL DIMENSIONS

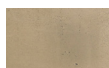
H 64MM x D 72MM x W 51MM

H 2.51IN x D 2.83IN x W 2IN



## MATERIALS

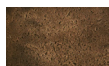
### I. METAL



Brass



Aluminium



Blackened

### WEIGHT

Brass / Blackened  
(580G / 20.45oz)

Aluminium  
(185G / 6.52oz)

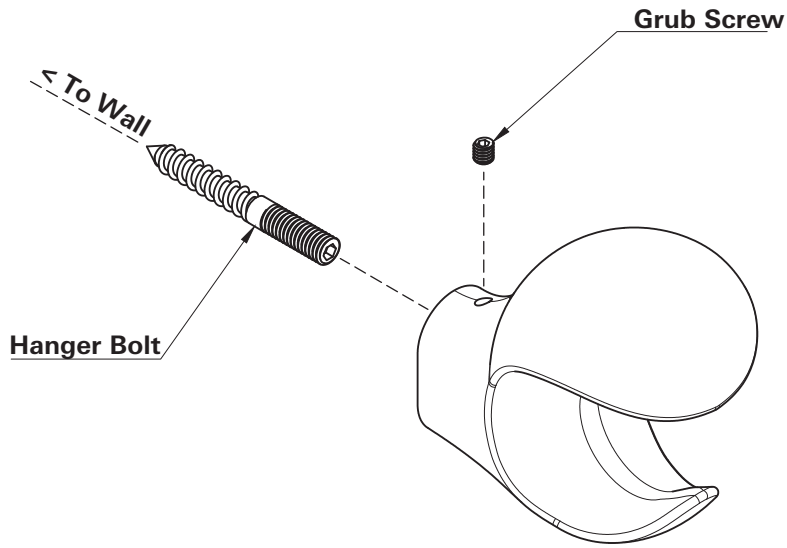
## CLEANING INSTRUCTIONS

### I. METAL

The metal used for our range oxidise with age and environment, both of which contribute to the evolution of a natural patina. If you favour the original bright finish of your pieces, this is easily restored by use of polishing solution - we recommend Braso or Silvo depending on the metal in question - applied with a soft, clean cloth.

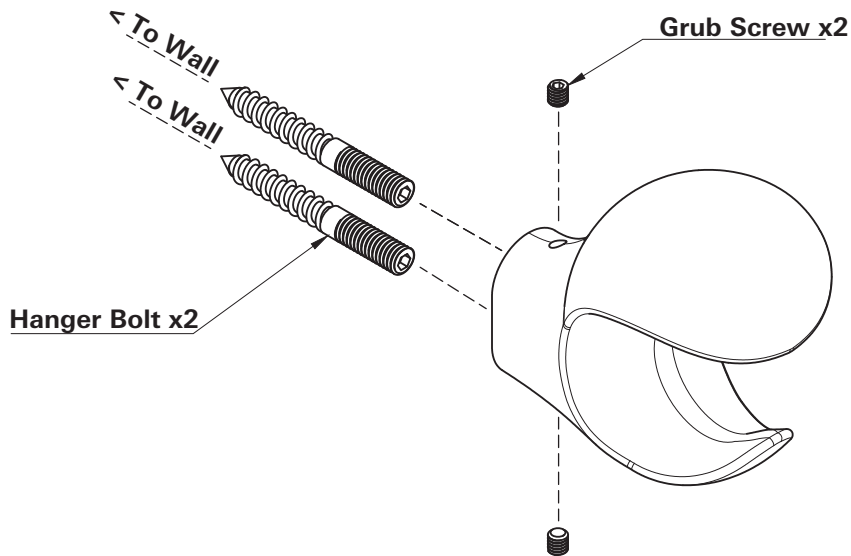
Because each object is cast in small batches, slight variations will occur from one individual piece to another. Production marks may include slight pour ripples or surface pitting, which imprint every item with a unique character.

# BALL HOOK



## SINGLE HANGER BOLT INSTALL METHOD

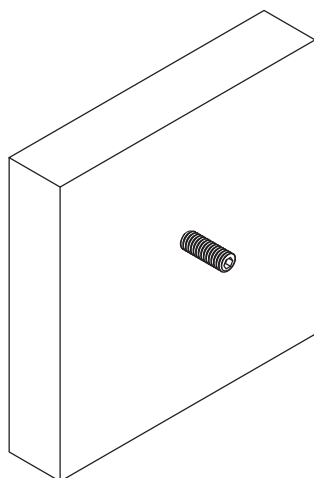
- Recommended when having two drill holes close together is not possible due to the wall material, such as masonry.



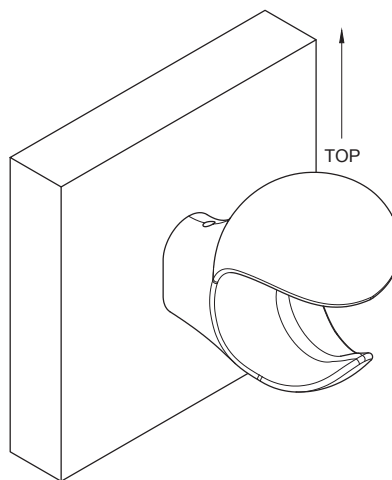
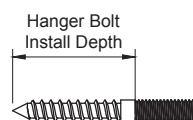
## DOUBLE HANGER BOLT INSTALL METHOD

- Recommended when wall material that hook is being fixed to it soft such as timber.

# BALL HOOK - SINGLE HANGER BOLT INSTALATTION

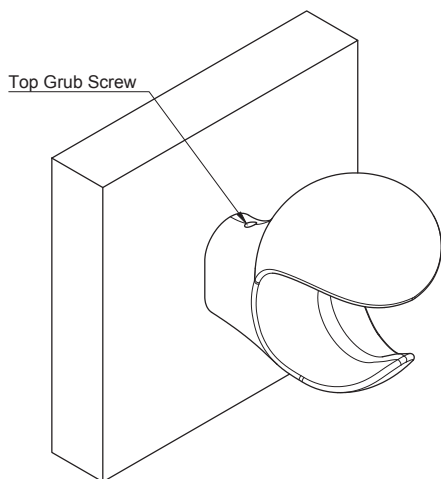


1. Install Hanger Bolt Into wall in desired mounting location. Ensure hanger bolt is installed at a depth where only the M6 threads are showing



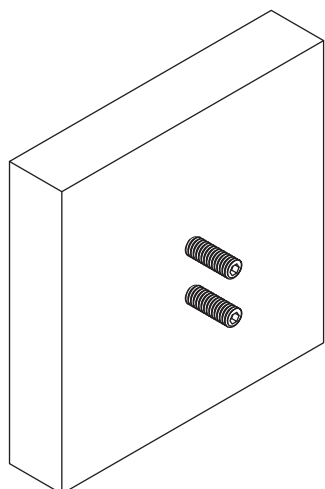
2. Thread ball hook onto the M4 thread of the hanger bolt using the top hole of the ball hook. When the ball hook touches the wall ensure that the ball hook is aligned vertically and the back face of the hook is flush to the wall.

If the ball hook is not aligned when it is flush to the wall adjust the depth of the hanger bolt so when the ball hook is threaded on it is aligned both flush to the wall and vertically oriented.

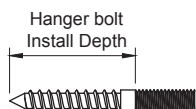


3. Once the ball hook is flush against the wall and aligned vertically tighten the top grub screw to lock the ball hook into place

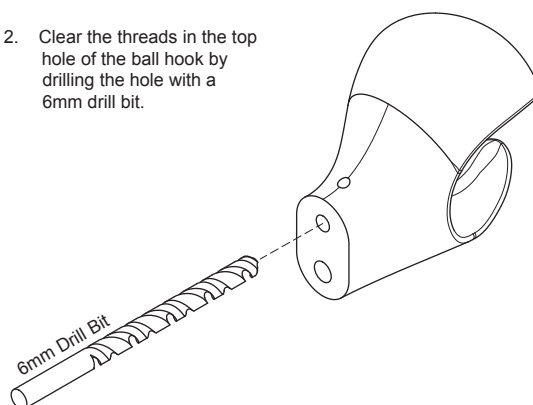
## BALL HOOK - SINGLE HANGER BOLT INSTALATTION



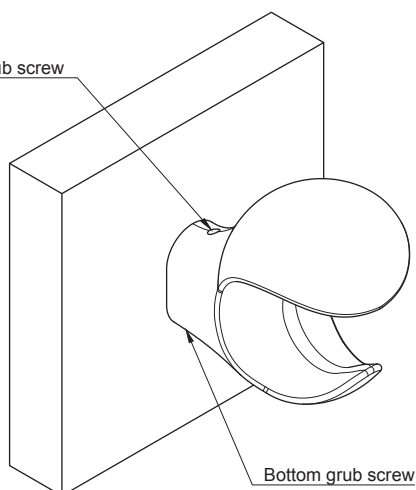
1. Install 2 Hanger Bolts Into wall in desired mounting location. See product spec sheet for distance between hanger bolts for install. Ensure hanger bolt is installed at a depth where only the M6 threads are showing



2. Clear the threads in the top hole of the ball hook by drilling the hole with a 6mm drill bit.



Top grub screw



3. Push ball hook onto exposed ends of hanger bolts installed in step 1. Tighten top and bottom grub screw to lock ball hook in place.

Bottom grub screw