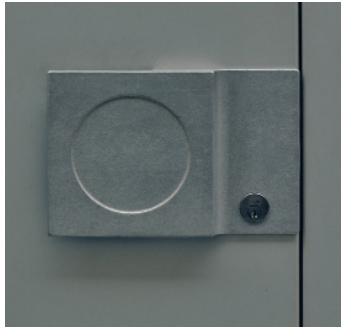


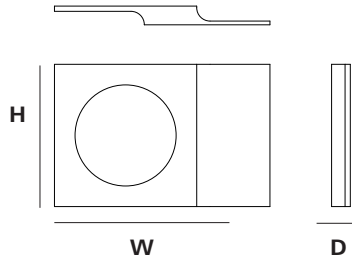
PUSH PLATE



OVERALL DIMENSIONS

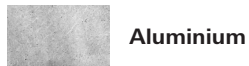
H 190MM x D 25MM x W 285MM

H 7.48IN x D 0.98IN x W 11.22IN

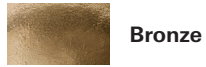


MATERIALS

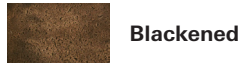
I. METAL



Aluminium



Bronze



Blackened

WEIGHT

Aluminium
(1000g / 35.27oz)

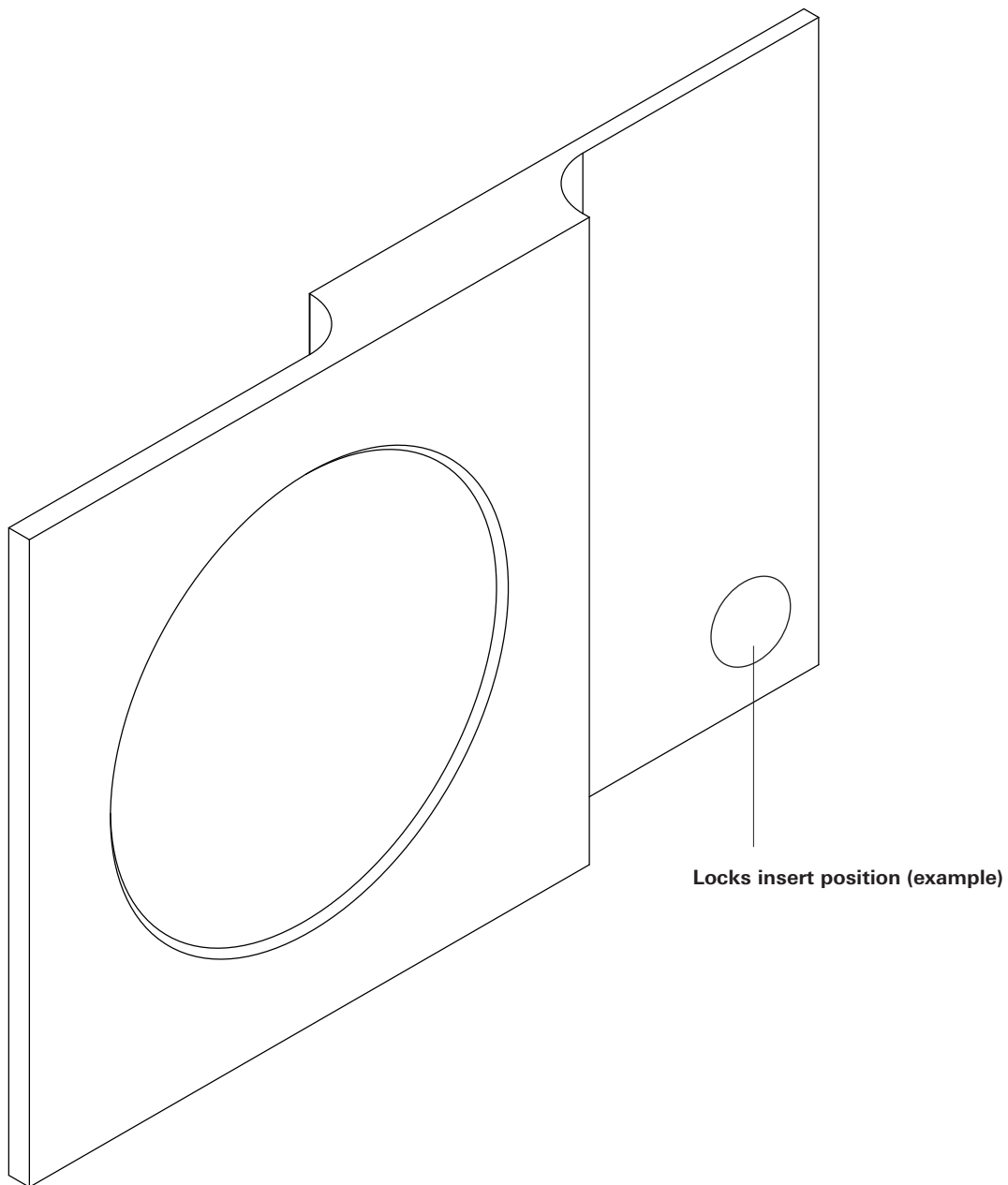
CLEANING INSTRUCTIONS

I. METAL

The metal used for our range oxidise with age and environment, both of which contribute to the evolution of a natural patina. If you favour the original bright finish of your pieces, this is easily restored by use of polishing solution - we recommend Braso or Silvo depending on the metal in question - applied with a soft, clean cloth.

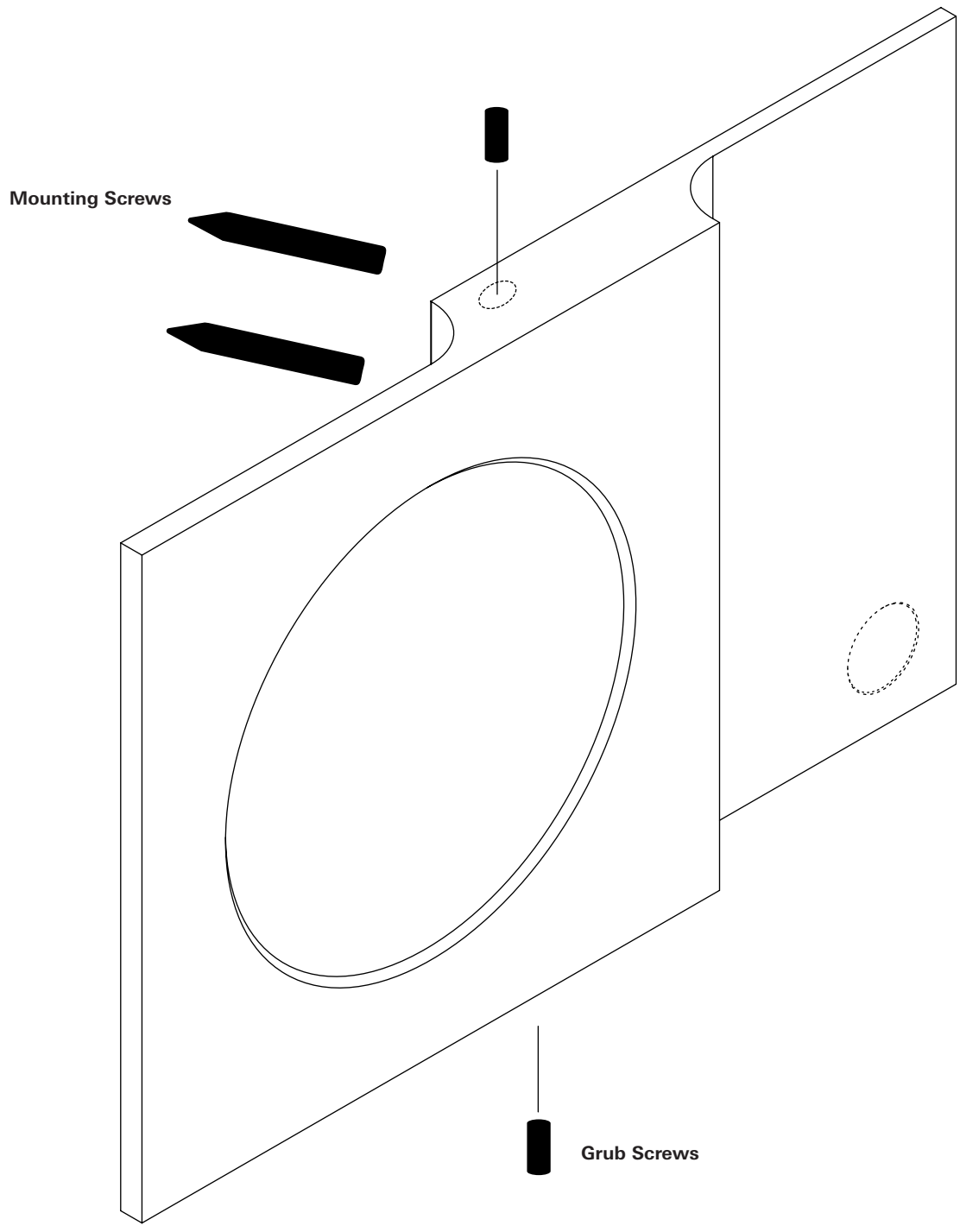
Because each object is cast in small batches, slight variations will occur from one individual piece to another. Production marks may include slight pour ripples or surface pitting, which imprint every item with a unique character.

PUSH PLATE



NOTES: Handles are sent as is, own metalworks are needed to insert desired locks

PUSH PLATE



NOTES: Handles mounting options are available, please send us an inquiry. Mounting mechanism example could be seen on our "Gio Hook"